

H6045/6120 SINGLE-STAGE ROOM & DUCT HYGROSTATS

SPECIFICATION DATA AND MOUNTING INSTRUCTIONS



GENERAL

The H6045A1002 Single-Stage Duct Hygrostat and the H6120A1000 Single-Stage Room Hygrostat are designed for monitoring relative humidity in air conditioning systems and climatic cabinets as well as for controlling air humidifiers and dehumidifiers for dehumidification control in indoor swimming pools.

Further areas of application include storage rooms for foodstuffs, the textiles industry, paper industry, printing shops, the film industry, greenhouses, hospitals and wherever air humidity levels must be monitored.

- The H6045A1002 Duct Hygrostat is designed in conformance with protection standard IP 65 and protection class I.
- The H6120A1000 Single-Stage Room Hygrostat is designed in conformance with protection standard IP30 and protection class I.

FEATURES

- Cost-effective solution for HVAC applications.
- High-capacity, fully-encapsulated microswitch NC/NO.

ACCESSORIES

- Mounting flange R22 for flexible mounting on air ducts.
- Air flow diffusor R25 for extended air velocity up to 15 m/s.

SPECIFICATIONS AND MODELS

Specification	H6045A1002 Duct Hygrostat	H6120A1000 Room Hygrostat
humidity range	35...100% r.H.	35...100% r.H.
switch load	15 (8) A, 24...250 Vac	5 (0.2) A, 230 Vac
contact	single-pole	single-pole
max. working temperature	-10...+65 °C	0...+60 °C
max. air-flow speed	8 m/s (15 m/s with R25)	15 m/s
protection standard	IP 65	IP 30
protection class	I	I
tolerance	max. 4% r.H.	max. 3% r.H.
switching hysteresis	5% r.H.	4% r.H.
housing material	ABS glass fiber reinforced	ABS (white)
weight	480 g	125 g

DIMENSIONS

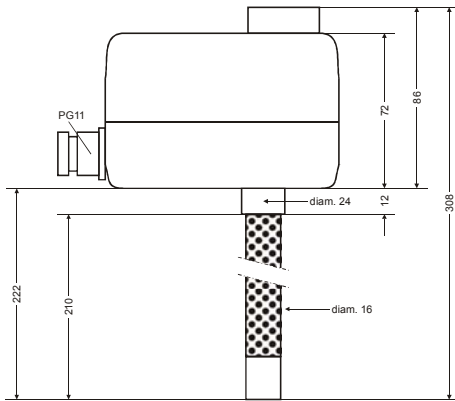
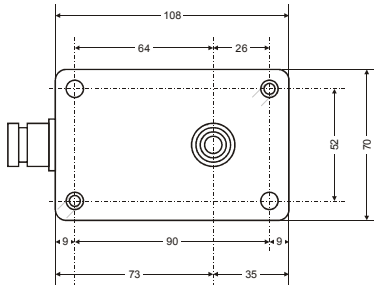


Fig. 1. H6045A1002 (dimensions in mm)

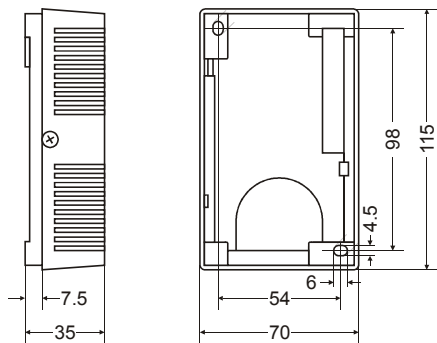


Fig. 2. H6120A1000 (dimensions in mm)

MOUNTING

H6045A1002

The H6045A1002 Duct Hygrostat can be installed directly onto air ducts using the attached mounting bracket.

H6120A1000

The H6120A1000 Room Hygrostat must be mounted far from heat sources and must be freely accessible for air convection at a height of approx. 1.5 meters.

Switch Point Adjustment

The switch point can be adjusted using the knob located on the top of the device. The easily readable scale and the pointer on the housing surface facilitate adjusting the humidity level.

WIRING

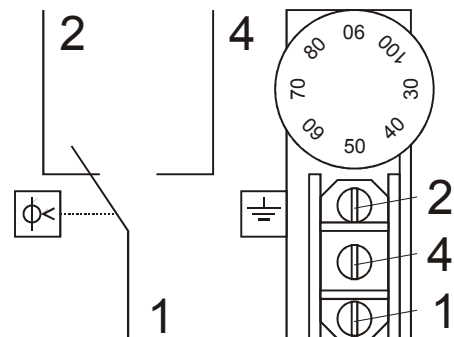


Fig. 3. H6045A1002, wiring

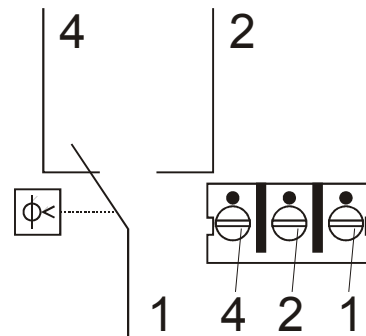


Fig. 4. H6120A1000, wiring

Honeywell

Automation and Control Solutions

Honeywell GmbH
 Böblinger Strasse 17
 D-71101 Schönaich
 Phone: (49) 7031-637-02
 Fax: (49) 7031-637-850
<http://honeywell.de/fema>

Subject to change without notice. Printed in Germany

Manufacturing location certified to **DIN EN ISO 9001**

EN0B-0339 GE51R0604